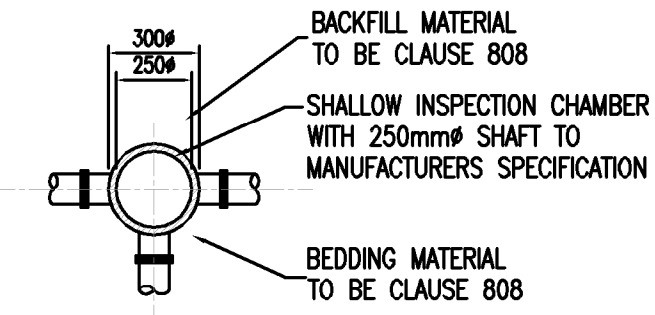


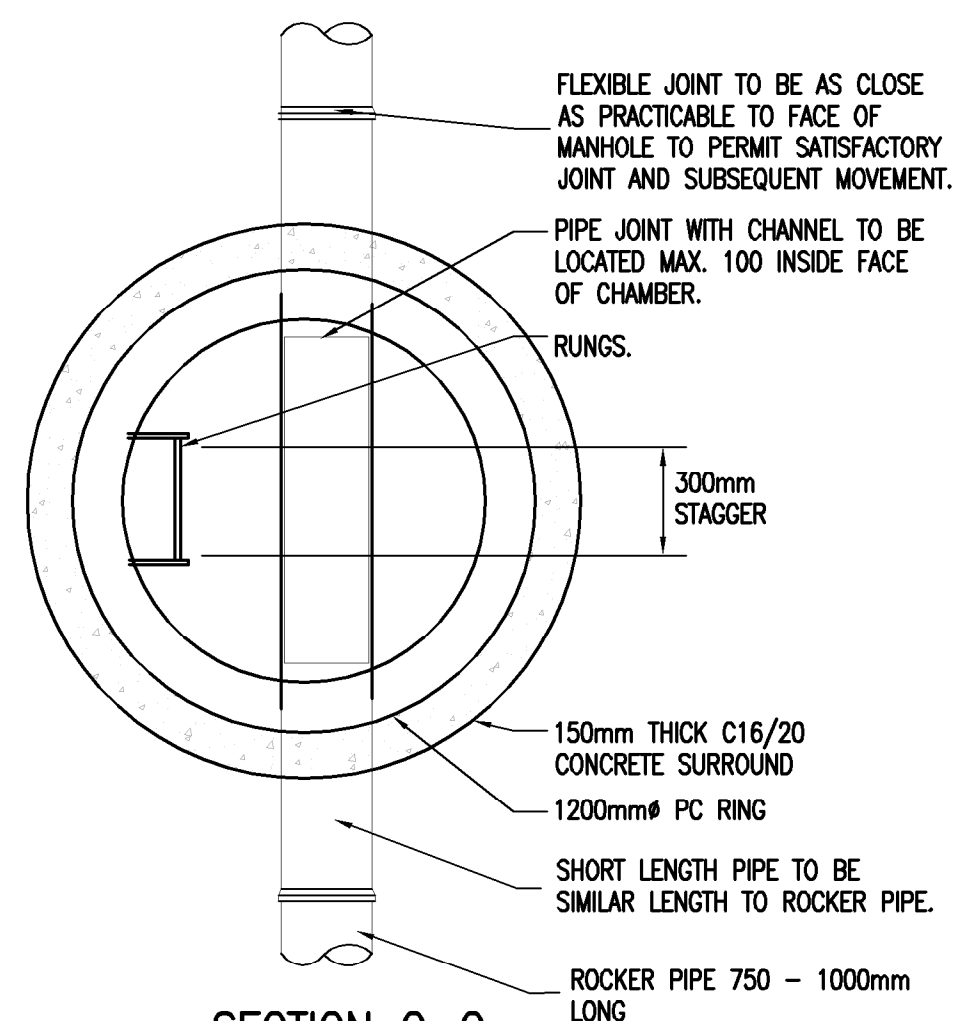
SECTION



PLAN

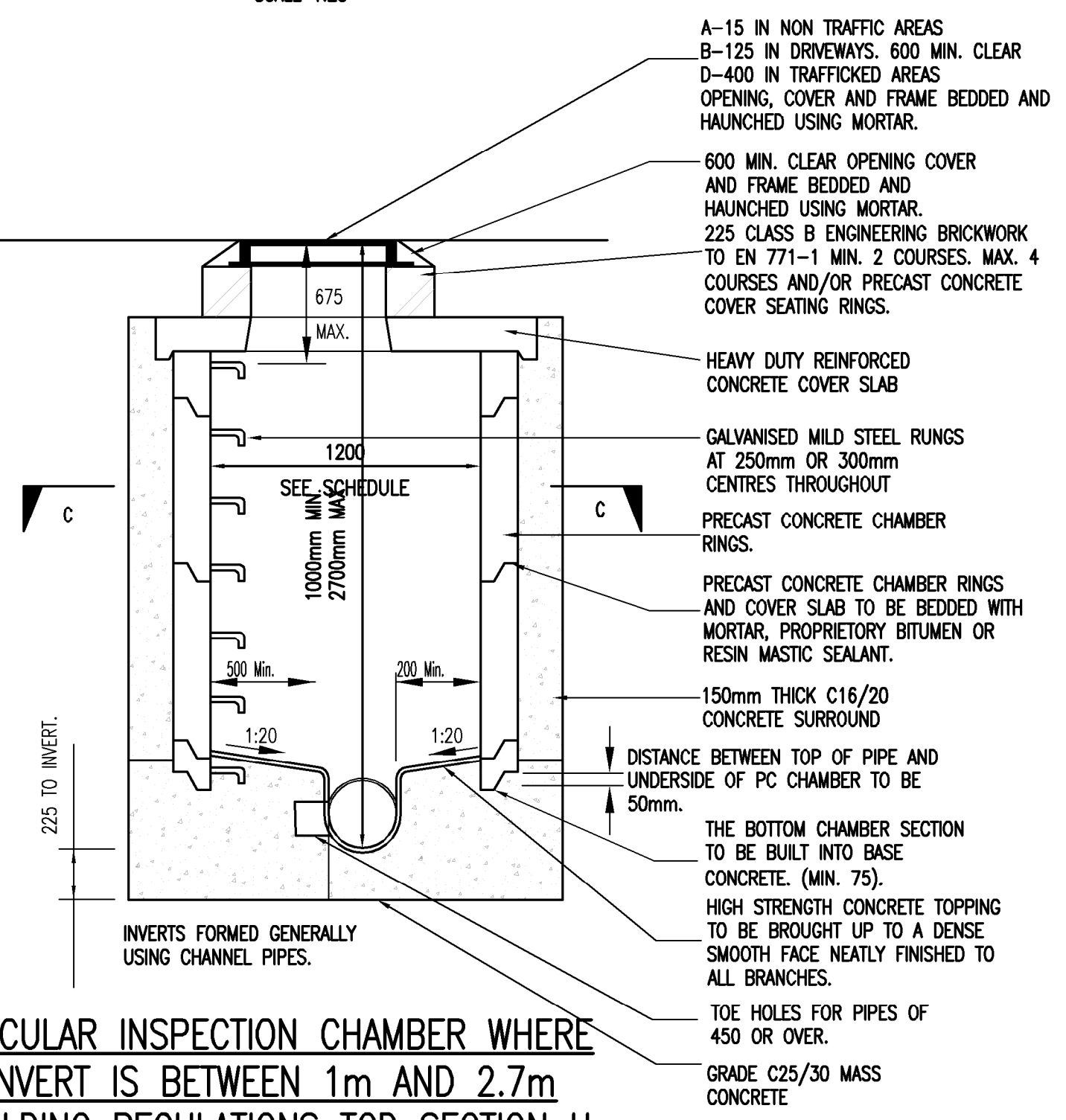
CIRCULAR INSPECTION CHAMBER WHERE INVERT IS 0.6m OR LESS BUILDING REGULATIONS TGD SECTION H TABLE 9

SCALE 1:25



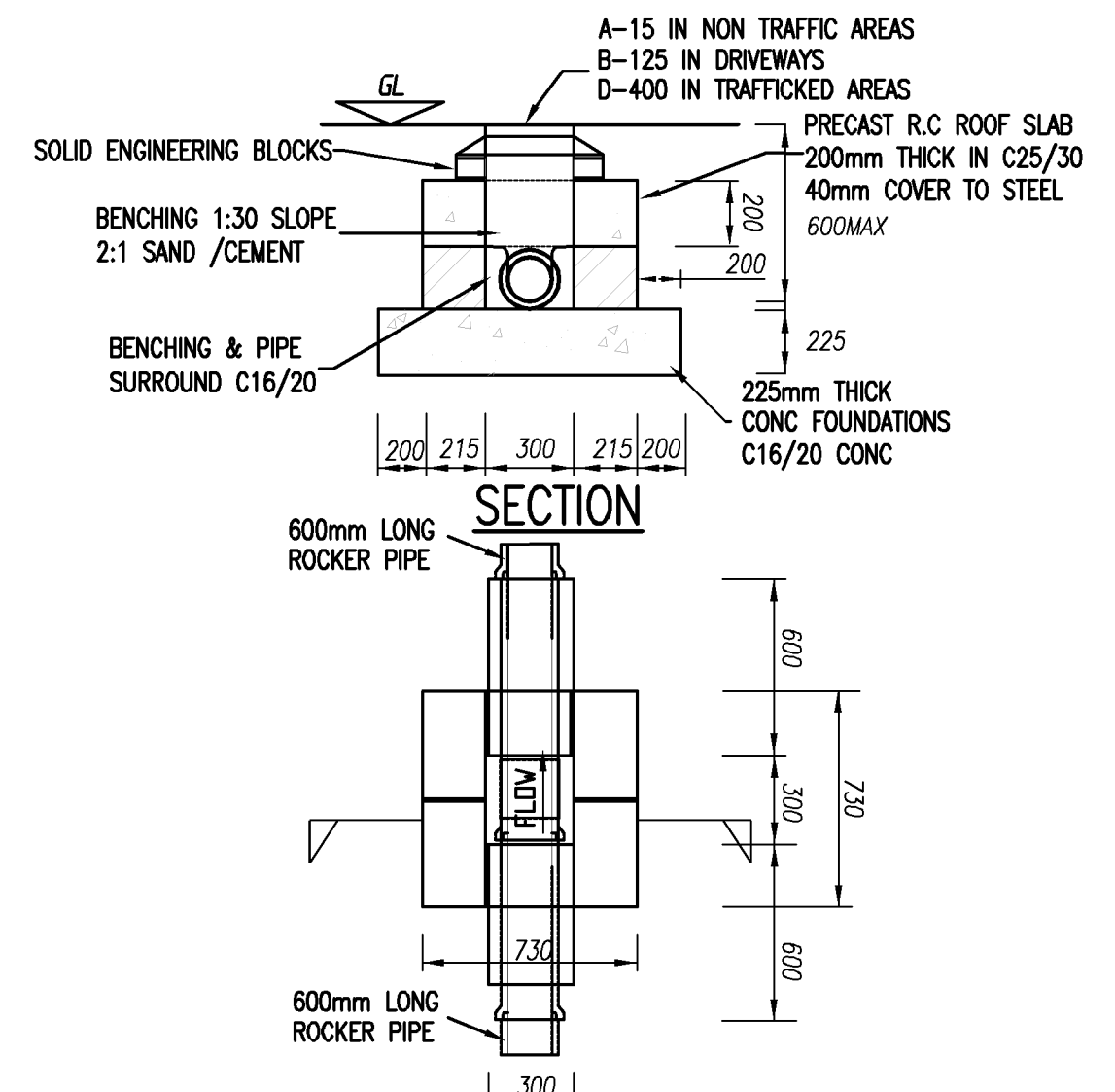
SECTION C-C

SCALE 1:25



CIRCULAR INSPECTION CHAMBER WHERE INVERT IS BETWEEN 1m AND 2.7m BUILDING REGULATIONS TGD SECTION H TABLE 9

TABLE 9
SCALE 1:25

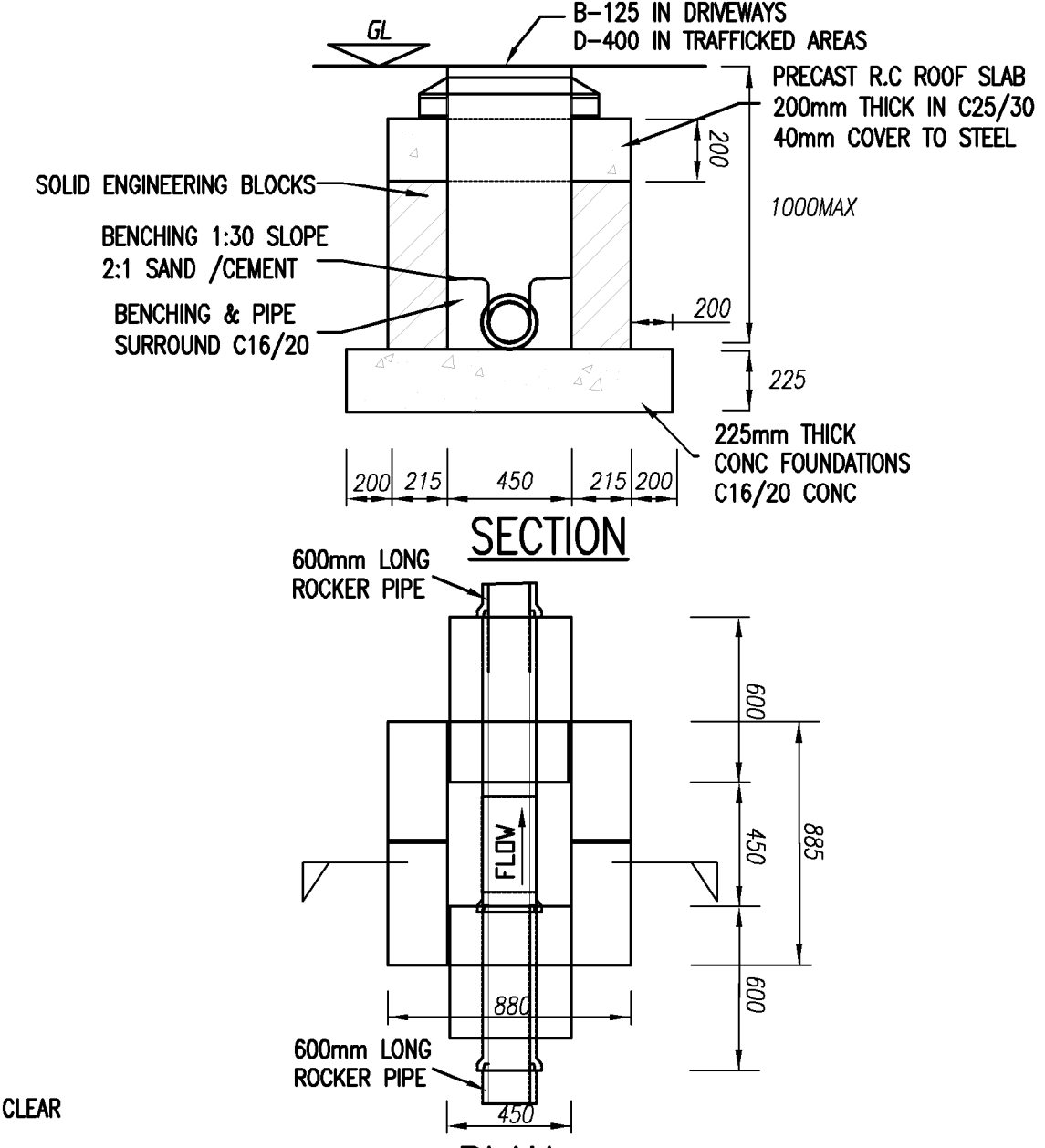


SECTION

PLAN

INSPECTION CHAMBER WHERE INVERT IS 0.6m OR LESS BUILDING REGULATIONS TGD SECTION H TABLE 9

SCALE 1:25



SECTION

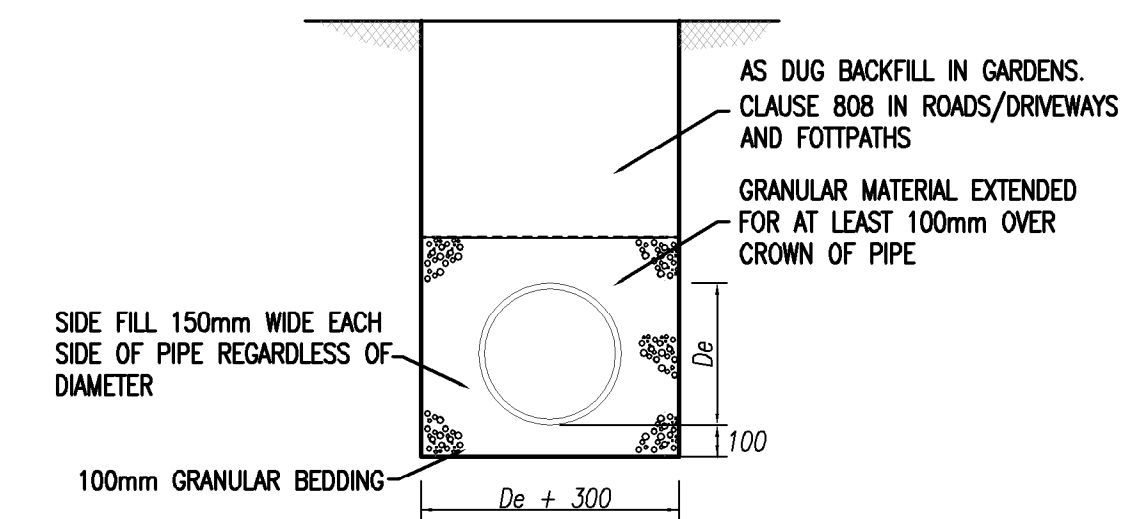
PLAN

INSPECTION CHAMBER WHERE INVERT IS 1m OR LESS BUILDING REGULATIONS TGD SECTION H TABLE 9

SCALE 1:25

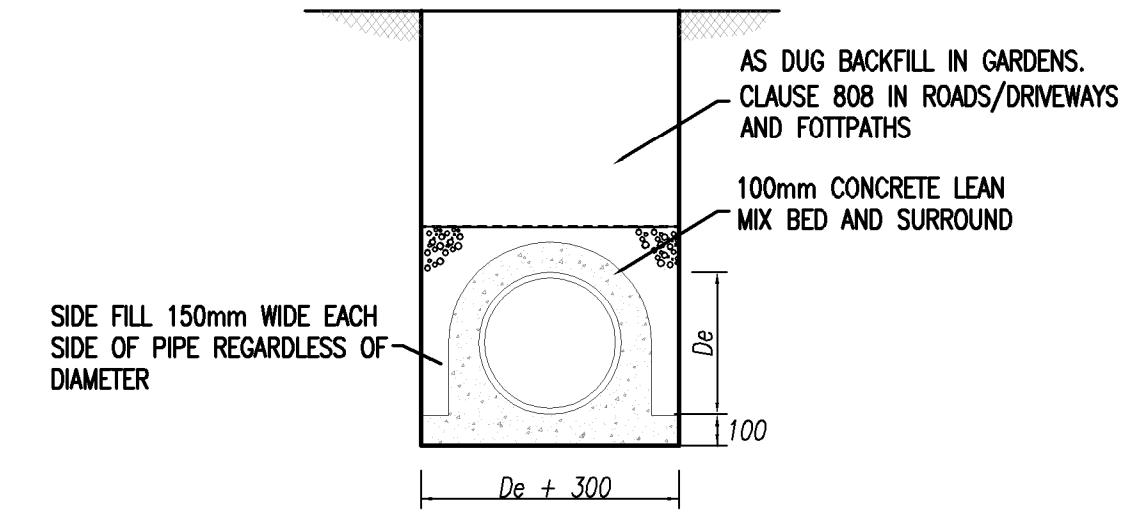
Type	Depth to (m)	Internal Sizes		Cover Sizes	
		length x width (mm x mm)	Circular (mm)	length x width (mm x mm)	Circular (mm)
Rodding eye					
Access Fitting					
small	0.6 or less	150 x 100	150	150 x 100	150
large		300 x 100	-	300 x 100	-
Inspection Chamber	0.6 or less	300 x 300	190*	300 x 300	190*
	1.0 or less	450 x 450	450	450 x 450	450**
Manhole	1.5 or less	1200 x 750	1000	600 x 600	600
	over 1.5	1200 x 750	1200	600 x 600	600
	over 2.7	1200 x 840	1200	600 x 600	600
Shaft	over 2.7	900 x 840	900	600 x 600	600

Note:
* For clayware or plastics may be reduced to 430mm in order to provide support for cover and frame
** Drains up to 150mm



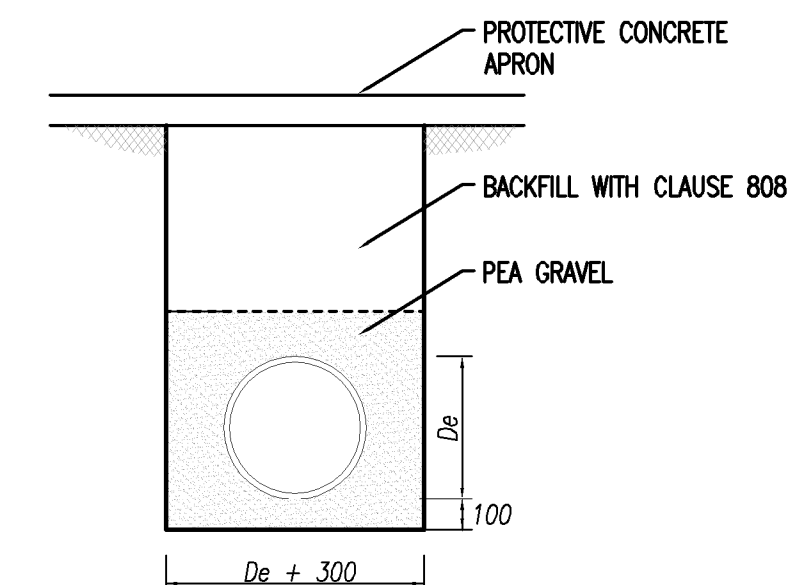
PIPES BEDDED IN GRANULAR MATERIAL COVER > 0.9m IN ROADS COVER > 0.6m IN GARDENS

SCALE 1:25



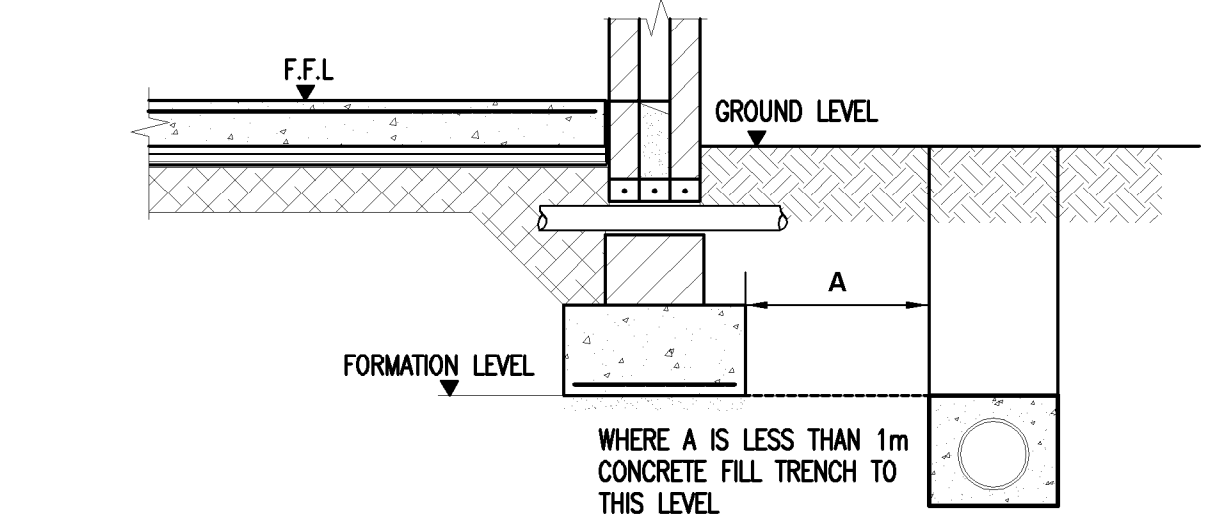
PIPES BEDDED IN GRANULAR MATERIAL COVER < 0.9m IN ROADS COVER < 0.6m IN GARDENS

SCALE 1:25



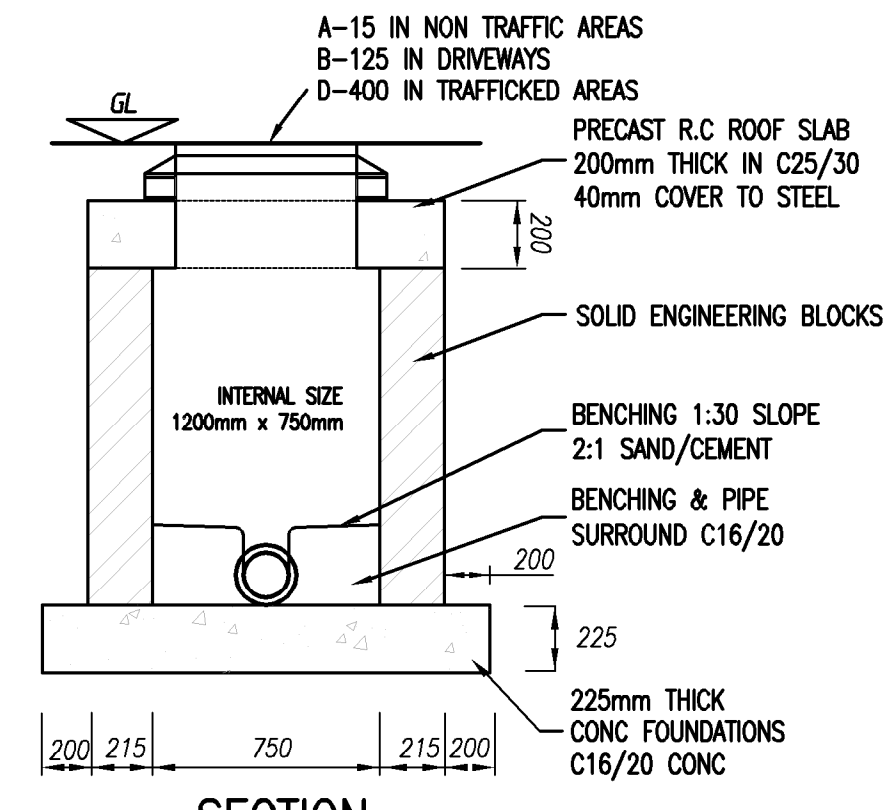
PIPES BEDDING ALTERNATIVE DETAIL COVER < 0.9m IN ROADS COVER < 0.6m IN GARDENS

SCALE 1:25



TYPICAL DETAIL WHERE PIPE RUNS NEAR BUILDINGS

SCALE 1:25



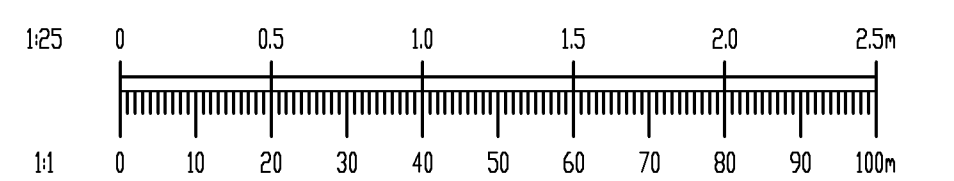
SECTION

PLAN

INSPECTION CHAMBER DEPTH TO INVERT IS BETWEEN 1m AND 2.7m BUILDING REGULATIONS TGD SECTION H TABLE 9

SCALE 1:25

- NOTES:
- DO NOT SCALE. USE FIGURED DIMENSIONS ONLY.
 - THIS DRAWING IS TO BE READ IN CONJUNCTION WITH ALL OTHER RELEVANT ARCHITECTURAL AND ENGINEERING DRAWINGS.
 - ALL WORKS TO BE CARRIED OUT IN ACCORDANCE WITH THE REQUIREMENTS OF THE BUILDING REGULATIONS 2010 SECTION H "DRAINAGE AND WASTE WATER DISPOSAL" AND WITH LOCAL AUTHORITY REQUIREMENTS
 - ANY ALTERNATIVE DETAILS PROPOSED BY THE CONTRACTOR SHALL BE SUBMITTED TO THE ENGINEER AT LEAST 2 WEEKS PRIOR TO THE CONSTRUCTION OF THE DRAIN
 - MINIMUM SPACING OF ACCESS POINTS TO BE IN ACCORDANCE WITH BUILDING REGULATIONS TECHNICAL GUIDANCE DOCUMENT SECTION 4 TABLE 10
 - DETAILS OF MATERIALS FOR CONSTRUCTION REFER TO BUILDING REGULATIONS TECHNICAL GUIDANCE DOCUMENT SECTION 4 TABLE 11
 - BACKFILL OF ALL INSPECTION CHAMBERS TO BE 808 BACKFILL IN 200mm LAYERS
 - INSTALLATION OF PLASTIC PIPES AND FITTINGS, GULLIES, A/J'S ETC TO BE STRICTLY IN ACCORDANCE WITH MANUFACTURERS INSTRUCTIONS



REV.	DATE	AMENDMENT	DRN	APPD

STATUS **FOR PLANNING ONLY NOT FOR CONSTRUCTION**

Waterman Moylan
Engineering Consultants
BLOCK 8, EASTPOINT BUSINESS PARK, ALFIE BYRNE ROAD, DUBLIN D03 H3F4 IRELAND.
Tel: (01) 664 8900 Fax: (01) 661 3618
Email: info@waterman-moylan.ie www.waterman-moylan.ie

CLIENT	ATLAS GP LIMITED
ARCHITECT	MC CAULEY DAYE O'CONNELL
PROJECT	CARMANHALL ROAD SHD 2022
TITLE	PRIVATE SURFACE WATER DRAINAGE DETAILS

DRAWN	DESIGNED	APPROVED	DATE
G.Byrne	BMC	JG	AUG. '22
SCALE	JOB NO.	DRG. NO.	REVISION
1:25 @A1	21-118	P232	